

LED FLOOD LIGHT FIXTURE, 100W - 200W

Project Information

Type

Name

Voltage

These LED floodlight features high power 130 -160 Lumen/Watt LED's. An excellent die-casting anti-corrosion / anti-oxidation aluminum alloy housing, and IP66 waterproof design. They replace 400W-750W MH or HPS Light fixtures, with 80% power savings. 50,000hour L70 life.



Applications

General Area and Exterior Security lighting



DLC, Intertek, 5 Year Warranty

Electric Characteristic

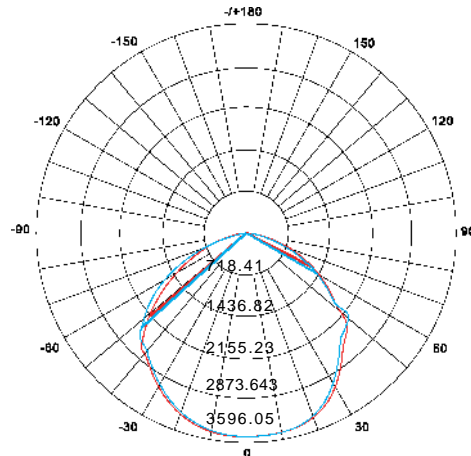
Specification/Model	LS-FLC100W	LS-FLC150W	LS-FLC200W
LED Chips	Philips SMD 3030		
Input power	100W	150W	200W
Lumens output	13000LM	19500LM	26000LM
Efficiency	130LM/W	130LM/W	130LM/W
CRI	>72Ra		
Color Temperature	4000K, 5000K		
Input voltage	100-277V		
Light distribution type	120D		
Working temperature	-30~+60°C		
Junction temperature	<75°C		
lamps efficiency	≥90%		
Certificate	ETL,cETL,DLC		
Equivalent	400W MH/HPS	400W-600W MH/HPS	600+-750W MH/HPS

Ordering Information

Example: LS-FLC-100W-50K-N

Product	Power	Replacement	Color Temperature	Photocell	Finish
LS-FLC100W	100W	400W MH/HPS	40K 4000K 50K 5000K	N not photocell Y yes photocell	T-Black
LS-FLC150W	150W	400-600W MH/HPS			
LS-FLC200W	200W	600+-750W MH/HPS			

Photometrics

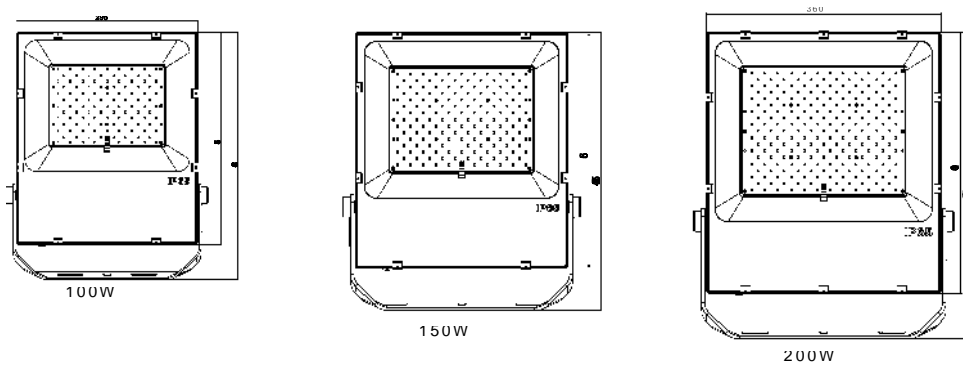


Projected LED Lumen Maintenance

Operating hours	0	25000	50000
Lumen maintenance factor	1	0.91	0.8

Data references the extrapolated performance projections for the LED Flood Light platform in a 25°C ambient, based on 10,000 hours of LED testing (tested per IESNA LM-80-08 and projected per IESNA TM-21-11).

Dimensions



After-sale Service

The product refers to electricians knowledge. Please don't disassemble it by yourself. If any problem occurs, please contact us for warranty details. 5 year Warranty

NOTE: Actual performance may differ as a result of end-user environment and application. All values are without notice.