

LED EXPLOSION PROOF LIGHT

Explosion Proof Outdoor LED Luminaire (A SERIES)

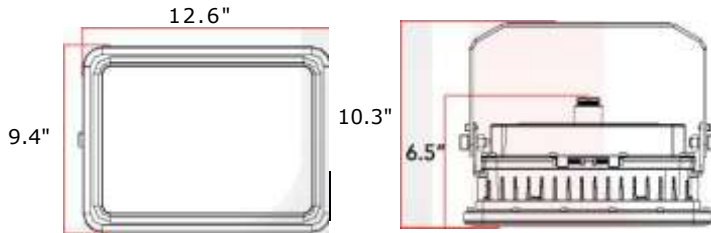


This LED Explosion Proof Flood Light can provide general illumination in hazardous locations such as oil refineries, gasoline loading docks, distilleries, pumping stations, mines, vessels, paint manufacturing plants and other high humidity, high temperature, dusty locations.



DIMENSIONS

CERTIFICATIONS &



- NEMA 4X, IP66
- I ECEX
- UL1598/UL1589A/UL844
- ATEX
- CSA C22.2 No. 137/No.250.0
- L70

Class I, Division 2, Groups A,B,C,D
Class II, Division 1, Groups E,F,G
Class II, Division 2, Groups E,F,G
Class III

	0A DIM (in)	2A - DIMS (in)	3A - DIMS (in)
<u>AC100-277V models</u>	12.6"x 9.4"x 6.5"	10.4"x 6.3"x8.08"	1.5"x 9.0.5"x 10.6"
<u>AC200-480V models</u>	12.6"x 9.4"x 6.5"	10.4"x 6.3"x8.08"	1.5"x 9.0.5"x 10.6"

FEATURES

- Copper free aluminum
- High vibration resistance
- IP66 Waterproof rating
- Reduces energy consumption up to 60%
- Cree LED Chips
- Mean Well driver
- Wide and narrow optics for uniform illumination
- Surface mounting and pendant installations
- 5 Year Manufacturer's Warranty

TECHNICAL DATA

Color Temperature	4000K to 5700K 5000K stock
CRI	> 70
Beam Angle	40°, 60°, 90°, 120° stock
Operation Temperature	-40°C to 60°C
Efficiency	140 Lumen/Watt
Input Voltage	AC100-277V stock /200-480V
Frequency	50-60Hz
Power Factor	More than 0.90
Rated Life	100,000 hours
LED Type	Cree LED Chips

WARRANTY

This product has a warranty for a period of 5 years from the date of purchase. The warranty is invalid in the case of improper installation, tampering, or removal of the Q.C. date label. Installation in an improper working environment, or installation not according to the current edition of the National Electric Code also invalidates the warranty. Should this product fail during the warranty period, it will be replaced free of charge, subject to correct installation and return of the faulty unit. Manufacturer does not accept responsibility for any installation costs associated with the replacement of this product. This warranty is in addition to the statutory rights in the country of purchase. The manufacturer reserves the right to alter specifications without prior notice.

LED EXPLOSION PROOF LIGHT

Explosion Proof Outdoor LED Luminaire (A SERIES)

PRODUCT SPECIFICATION

Product Number		CCT	Voltage	Lumens	Working Hrs	CRI
XP-20W 2A-YKxA	20	4000K-5700K	AC100-277V or AC200-480V	2800	5 Years	70
XP-40W 2A-YKxA	40	4000K-5700K	AC100-277V or AC200-480V	5600	5 Years	70
XP-60W 0A-YKxA	60	4000K-5700K	AC100-277V or AC200-480V	8400	5 Years	70
XP-80W 0A-YKxA	80	4000K-5700K	AC100-277V or AC200-480V	11200	5 Years	70
XP-100W 0A-YKxA	100	4000K-5700K	AC100-277V or AC200-480V	14000	5 Years	70
XP-120W 3A-YKxA	120	4000K-5700K	AC100-277V or AC200-480V	16800	5 Years	70
XP-150W 3A-YKxA	150	4000K-5700K	AC100-277V or AC200-480V	21000	5 Years	70
XP-200W 3A-YKxA	200	4000K-5700K	AC100-277V or AC200-480V	28000	5 Years	70

ORDERING GUIDE

XP || 20W/40W/60W/80W/100W/
Company Code || 120W/150W/200W || 0A/2A/3A || D/N || 4000K-5700K || 40°, 60°, 90°, 120° || C/Blank
Wattage || Series || Y= Dimming Options || K= CCT || x= Beam Angle || A= Long Glass Cover/ None

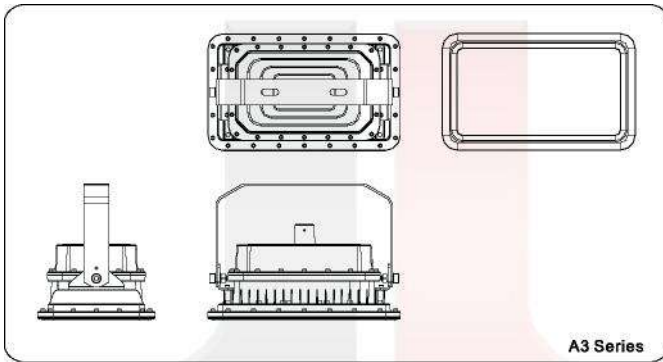
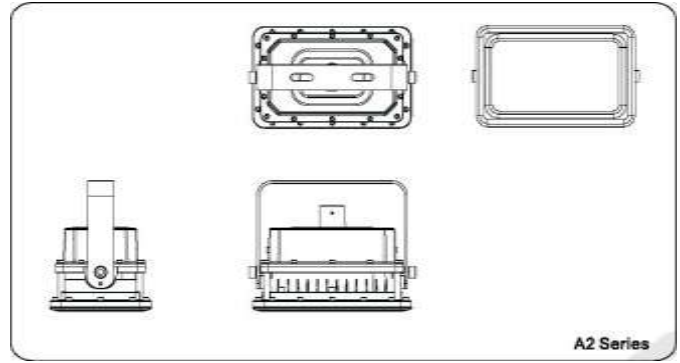
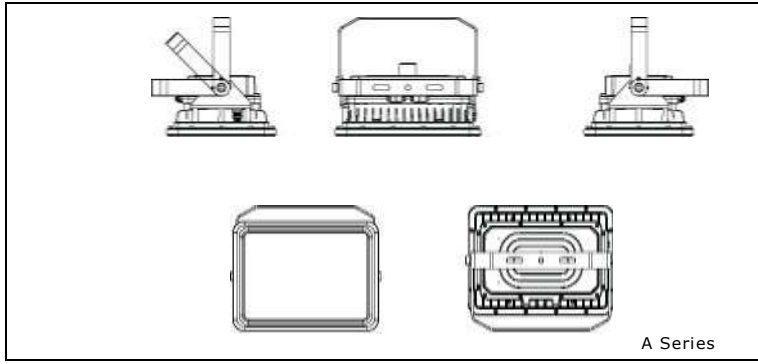
CAUTION

- Risk of fire, make sure power is OFF before installation.
- Risk of electric shock.
- All wiring needs to be performed per National Electrical Code and local code by a qualified electrician.
- These lamps can be used with a light dimmer.
- High temperatures inside luminaire make certain line voltage corresponds with ballast's primary voltage.
- If the lamp or luminaire exhibits undesirable operation (i.e. buzzing, flickering, etc.), immediately turn off power and contact manufacturer.
- Luminaires should not be installed in narrow space to guarantee enough air convection.
- Do not make mass installation before sample testing.

LED EXPLOSION PROOF LIGHT

Explosion Proof Outdoor LED Luminaire A SERIES)

STRUCTURE DIAGRAM



MOUNTING OPTIONS

