

# PIR Sensor

[www.LightingAtlanta.org](http://www.LightingAtlanta.org)

Tel: 770-317-9191

info@LightingAtlanta.org

Designed for LED fixtures;  
rated for extreme temperatures  
and up to 200,000 on/off cycles

Fully adjustable high and low  
dimmed light levels; optional  
dusk to dawn control



PIR sensor modules for  
mounting between 20-40 feet

Multiple mounting options for  
easy installation



SKU: 79-93002-A

## Product Overview (Description)

The BR1819P mounts in an indoor lighting fixture and provides multi-level control based on motion.

## Applications

The slim, low-profile sensor is designed for installation to the light fixture body. The sensor is ideal for areas such as parking facilities, gas stations, pedestrian pathways and warehouses.

## Corridor Function

This function inside the motion sensor to achieve tri-level control, for some areas which require a light change notice before switch-off. The sensor offers 3 levels of light: 100%-dimmed light (natural light is insufficient) -->off; and 2 periods of selectable waiting time: motion hold-time and stand-by period; Selectable daylight threshold and freedom of detection area.



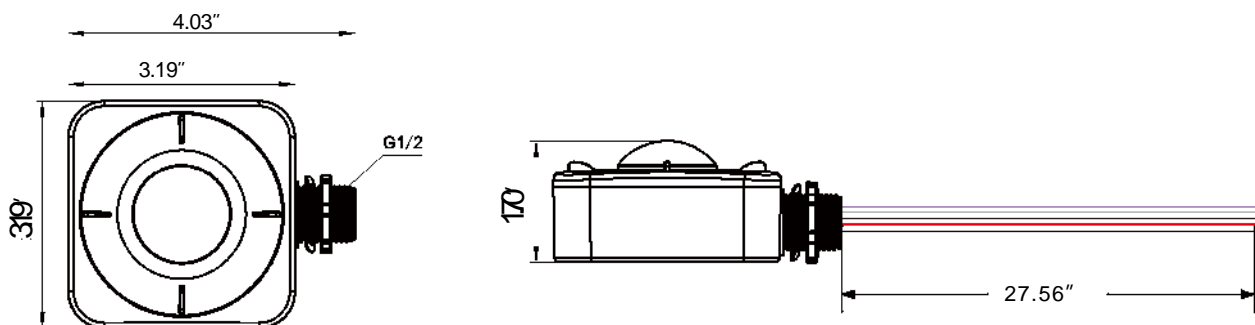
## Features

- Provides line voltage On/Off switching
- Works with non dimmable ballasts or LED drivers
- High and low modes, fully adjustable from 0 - 10V
- Time delay from 10 seconds to 60 minutes
- Optional cut off delay
- Adjustable ramp up and fade down times
- High inrush stability zero crossing circuitry for reliable, long-life operation latching relay is durable for all loads
- UL773A and FCC

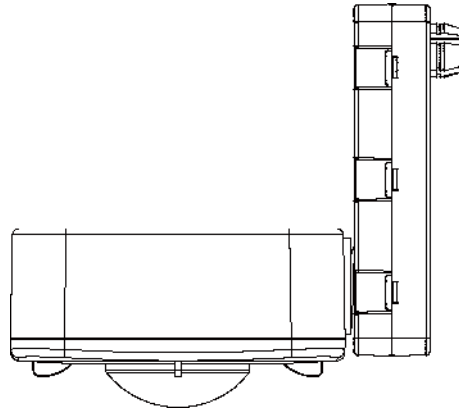
## Specifications

Power supply	120 - 277VAC 50/60Hz
Maximum load @ -40°F - 167°F (-40°F - 167°F)	Resistive/Tungsten -600W@120V Electronic Ballast -800W@120V/1200w@277V
Dim control output	Max.25mA sinking current
Detection radius/angle	30ft @ 40ft height , 360 Deg, 30ft @ 25ft height, 360 Deg
Mounting height	Max 25ft. @L1      Max 40ft. @L2
Remote range	50ft. (15m) indoor, no backlight
Time setting	10 sec.- 60min. (adjustable)
Light-control	10-2000Lux. (adjustable)
Humidity	Max. 95%RH
Temperature range	-40°F-167°F

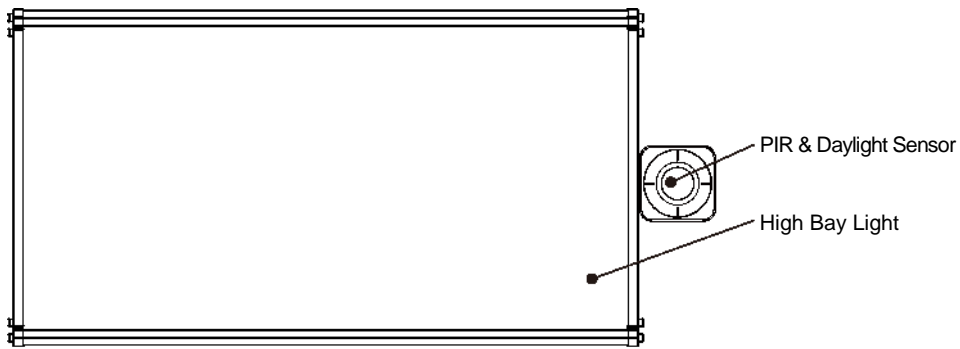
## Dimensions



# Mounting With Extender Module EM1-2



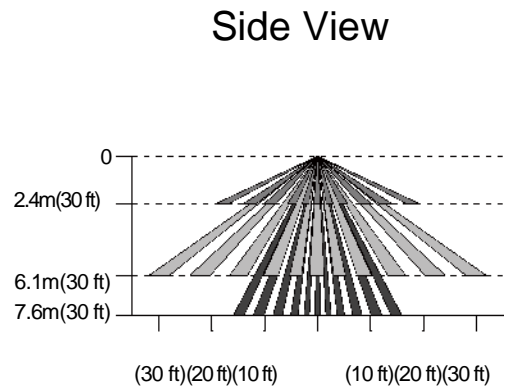
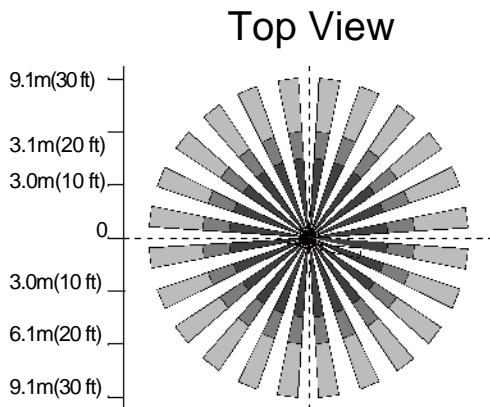
# Mounting To Linear High Bay Light



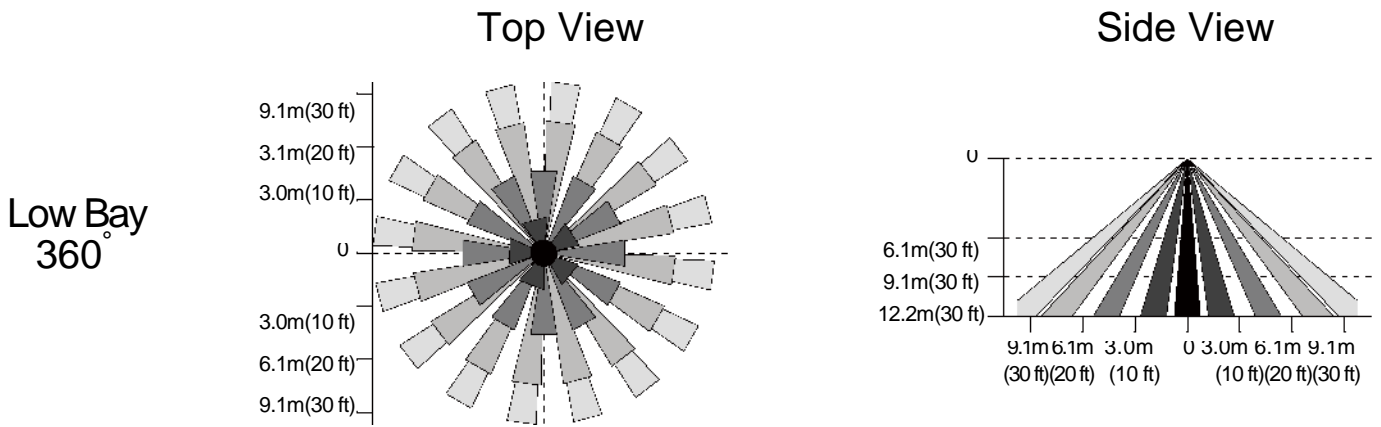
# Coverage

## L1 Lens

Low Bay  
360°

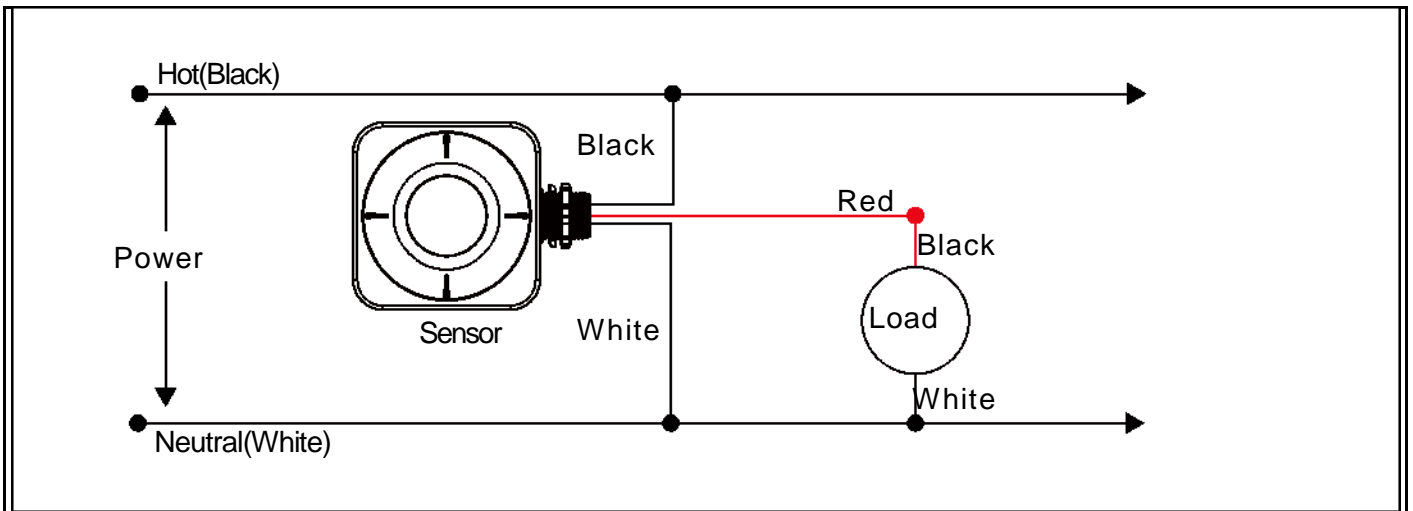


# L1 Lens



## Wiring

Wiring with non-dimming ballast, or LED driver.



ON/OFF Sensor

## Ordering Information

Color: white

Description: 120/277VAC, ON/OFF PIR Sensor

[www.LightingAtlanta.org](http://www.LightingAtlanta.org)  
Tel: 770-317-9191  
Info@LightingAtlanta.org