

VE[®]

Ken-Tronic, Inc.
www.LightingAtlanta.org
Tel: 770- 317-9191
E-Mail: Info@LightingAtlanta.org

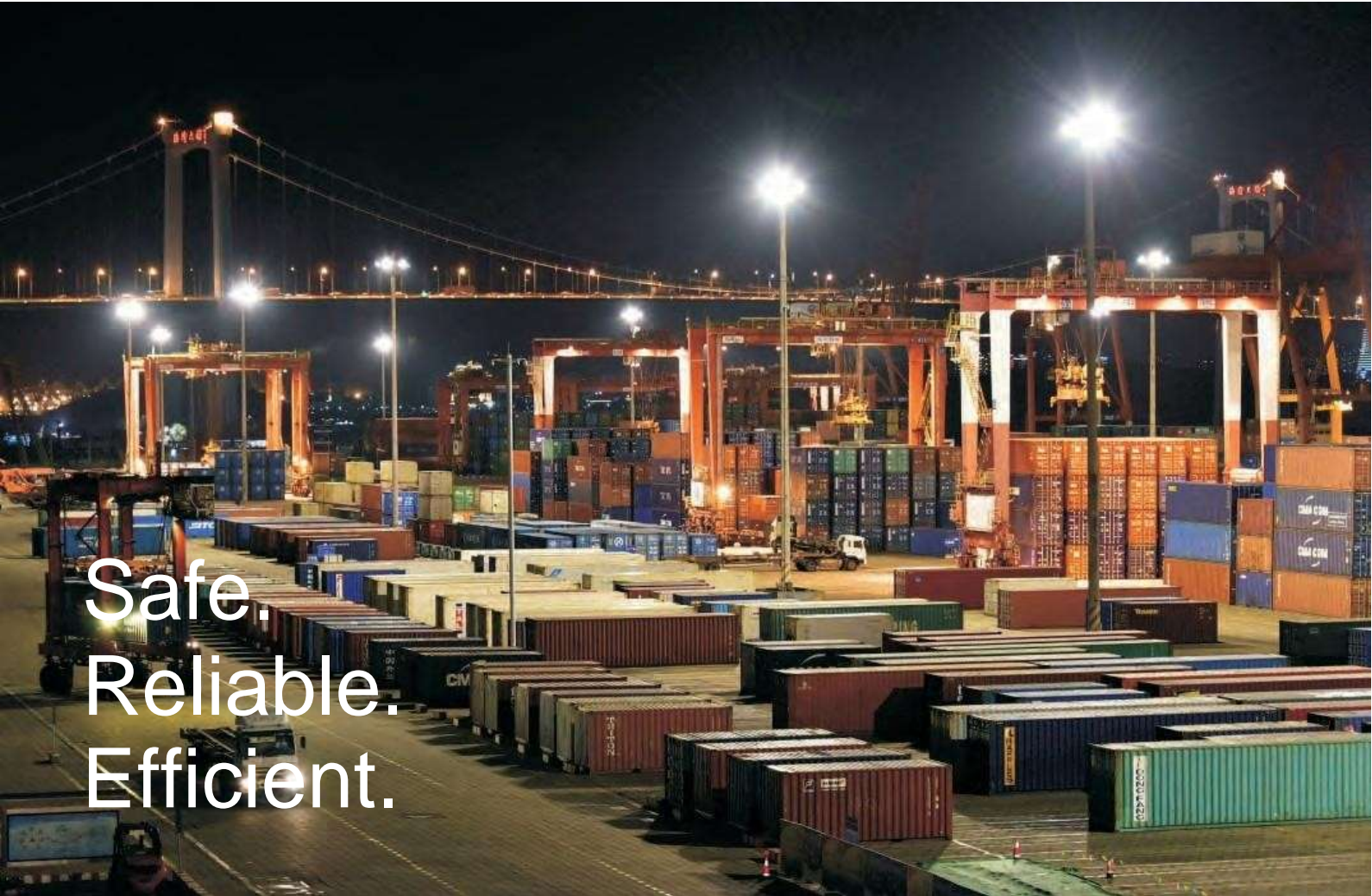
HAZARDOUS LOCATIONS LIGHT SPECIFICATION



B Series



FC RoHS



Safe.
Reliable.
Efficient.

Ratings and Certifications, B Series

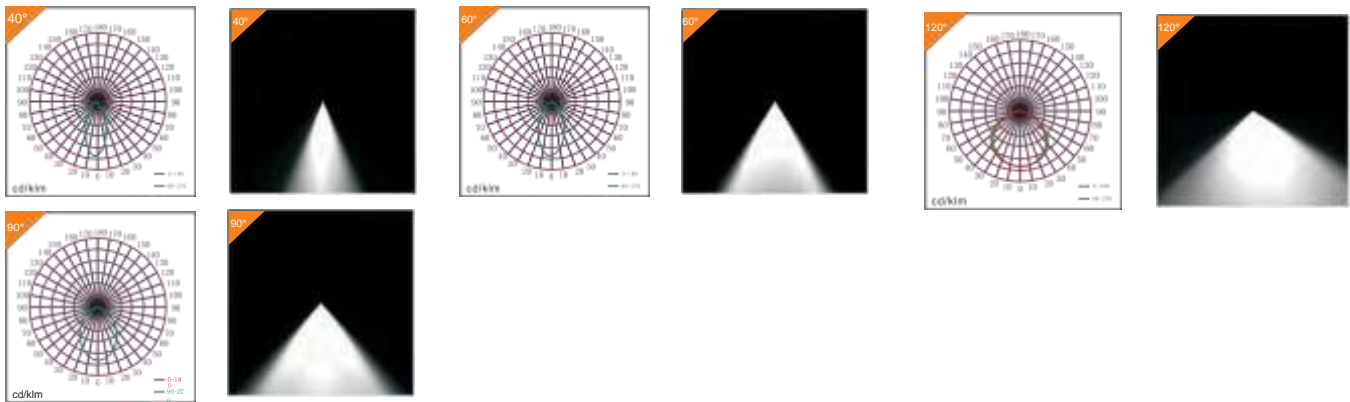
- NEMA 4X, IP66
- UL1598/UL1598A/UL844
- CSA C22.2 No.137/N o.250.0
- Class I, Division 2, Groups A, B, C, D
- Class II, Division 1, Groups E, F, G
- Class II, Division 2, Groups E, F, G
- Class III
- Marine and Wet Locations
- IECEX
- ATEX
- 5 year Warranty
- L70 rating for more than 100,000 hours

Applications

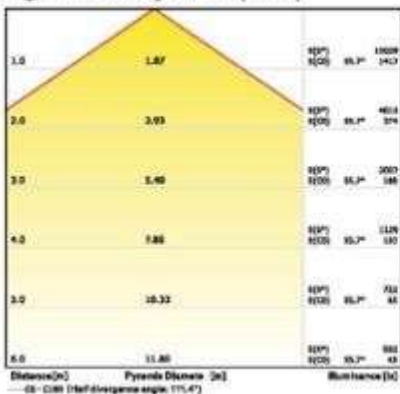
This luminaire can be used as flood light, wall pack or area light, which can provide general illumination in hazardous locations, such as:

1. Oil refineries, Gas stations, and Power Plants
2. Oil and gasoline loading dock
3. Distillery
4. Painting manufacturing plant
5. Pumping station
6. Mine
7. Vessel
8. Other high humidity, high temperature, or dusty locations

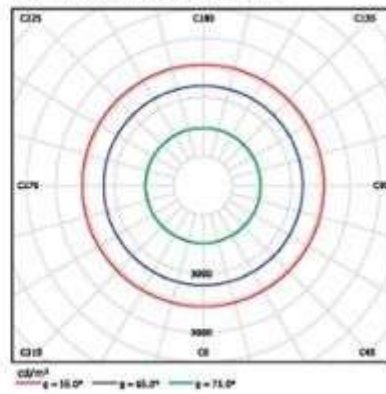
Professional Light Distribution



Light intensity curve(80W)



Plane illuminance curve



Typical model specification, B series, X-150W-B3-50-120-10

Product Number	Wattage	Color Temperature	Voltage	Lumens	Working Hours	CRI
X-20W-B2-X-C-B-V	20	4000K-5700K	AC100-277V	3000	5 years 24/7	70
X-40W B2-X-C-B-V	40	4000K-5700K	AC100-277V	6000	5 years 24/7	70
X-60W B-X-C-B-V	60	4000K-5700K	AC100-277V or AC200-480V	9000	5 years 24/7	70
X-80W B-X-C-B-V	80	4000K-5700K	AC100-277V or AC200-480V	12000	5 years 24/7	70
X-100W B3-X-C-B-V	100	4000K-5700K	AC100-277V or AC200-480V	15000	5 years 24/7	70
X-120W B3-X-C-B-V	120	4000K-5700K	AC100-277V or AC200-480V	18000	5 years 24/7	70
X-150W B3-X-C-B-V	150	4000K-5700K	AC100-277V or AC200-480V	22500	5 years 24/7	70
X-200W B3-X-C-B-V	200	4000K-5700K	AC100-277V or AC200-480V	30000	5 years 24/7	70

“B, B2, B3”=Product Series “X”=D or N: Dimmable or non-dimmable “C”=CCT, from 4000K-5700K (5000K is standard, others, special order)
 “B”=Beam angle: 40°, 60°, 90°, 120° “V”=Voltage, 10 for 100 - 277V, or 20 for 200 - 480V (200 - 480V is often special order, please check with us!)
NOTE! Fixtures ships without the "Jelly Jar" and cage, those are extra cost & special order!

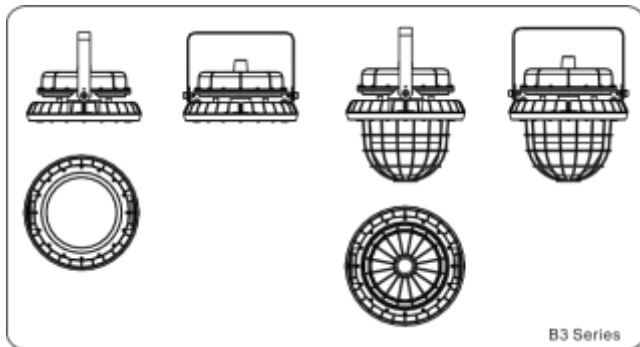
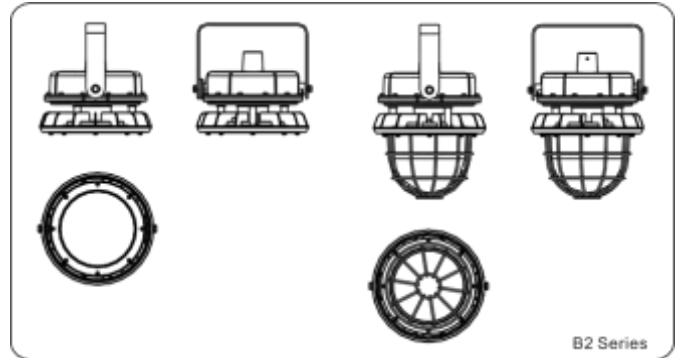
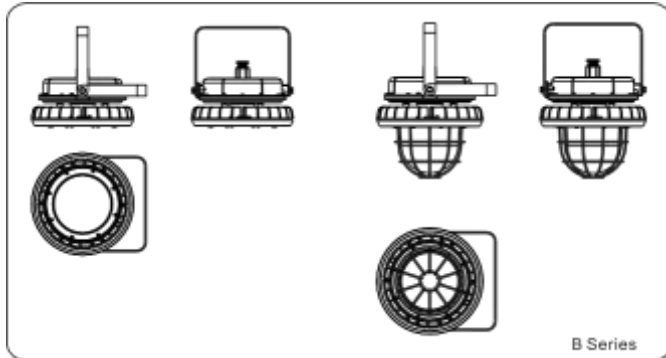
Features

- High efficacy: 150Lum./Watt
- CRI>70
- Surface mounting and pendant installation
- Wide and narrow optics for uniform
- Copper free aluminum, 120 Deg standard
- High vibration resistance

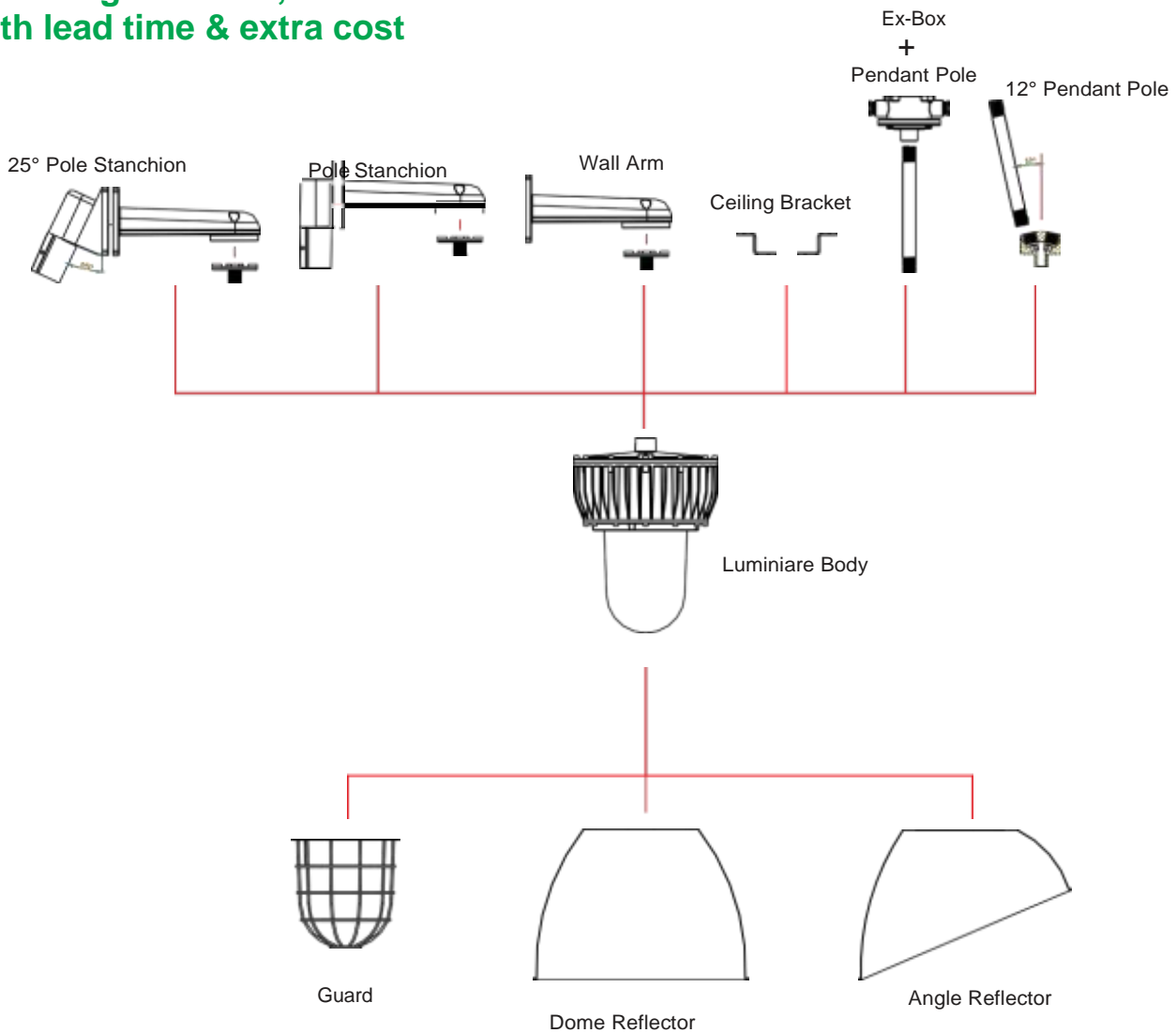
B Series Mechanical information

	B Size (in)	B2 Size (in)	B3 Size (in)
AC100-277V models	Ø 10.6×6.5/15.5	Ø 9.2×9/14	Ø 14.6×11.4/18.8
AC200-480V models	Ø 10.6×6.5/15.5	Ø 9.2×9/14	Ø 14.6×11.4/18.8

Structure diagram



Mounting methods, available with lead time & extra cost



Adaptor	Conduit	Catalog No.
25° Pole Stanchion	3/4" or 1"	25 DPS
Pole Stanchion	3/4" or 1"	PS
Wall Arm	3/4" or 1"	WA
Ceiling Bracket	Expand Screw	CB
Pendant Pole	Use Ex-Box	PP
12° Pendant Pole	3/4" or 1"	12 DPP
Ex-Box	3/4"	EB

Warranty

5 year warranty, or any other warranty period specified in the contract for the product from the date of purchase:

- Invoice or shipment bill is required to claim the warranty.
- The warranty policy only requires manufacturer to repair the defective product or send substitute for replacement.
- Installation labor, electricity, or freight cost, and other related costs will not be covered by the manufacturer warranty policy.
- Warranty does not cover the defect caused by inappropriate use, especially if directions of the instructions for use are not observed, normal abrasion as well as failures which affect the value or use of the product insignificantly.